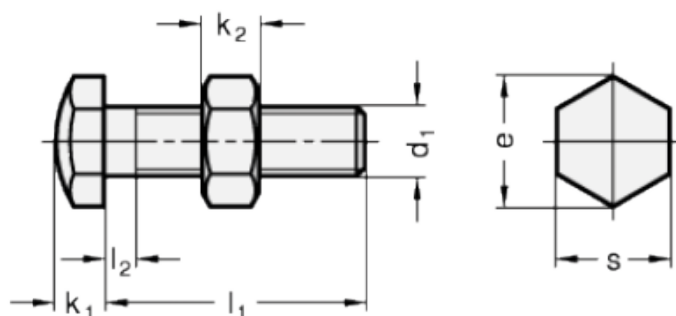


Article number: 20251M840AK

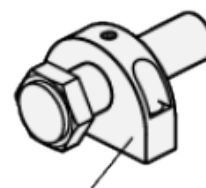
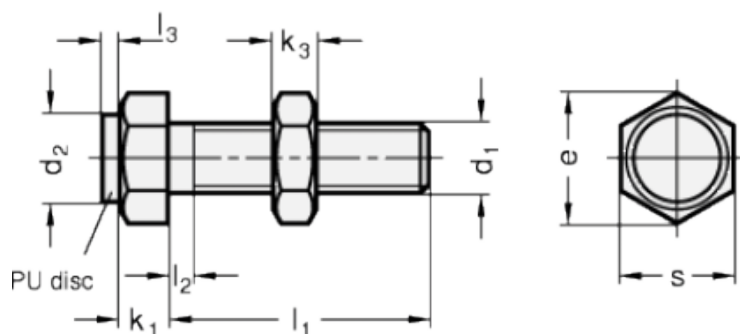
Description: E+G Setting bolt GN 251-M8-40-AK  
with nut

## Measures

Type AK



Type BK



Mounting block GN 412.1

d	= M8	s = 13
e	= 15	
K	= -	
k1	= 5.5	
k2	= 6.5	
l1	= 40	
l2 max.	= 3.7	
l3	= -	